

Jim/Bill

Mounting instructions Urinal
安装说明 小便器

085035 .. 00

0850350007

085135 .. 00

0851350007

Position of fixing points

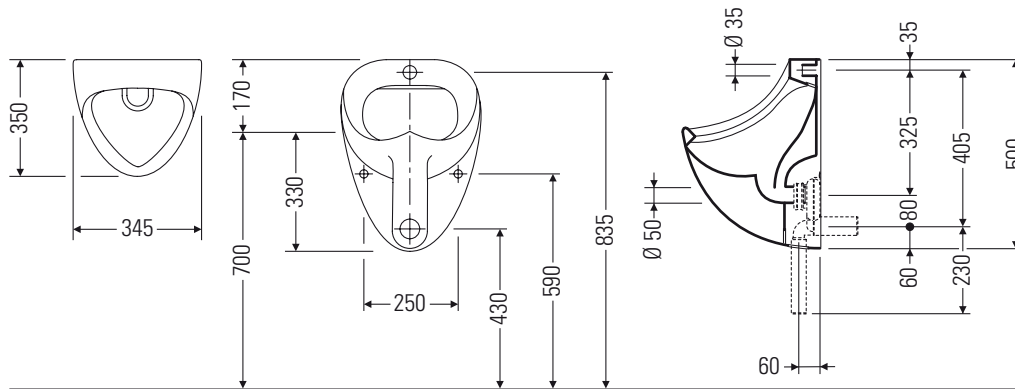
固定位置

Water supply

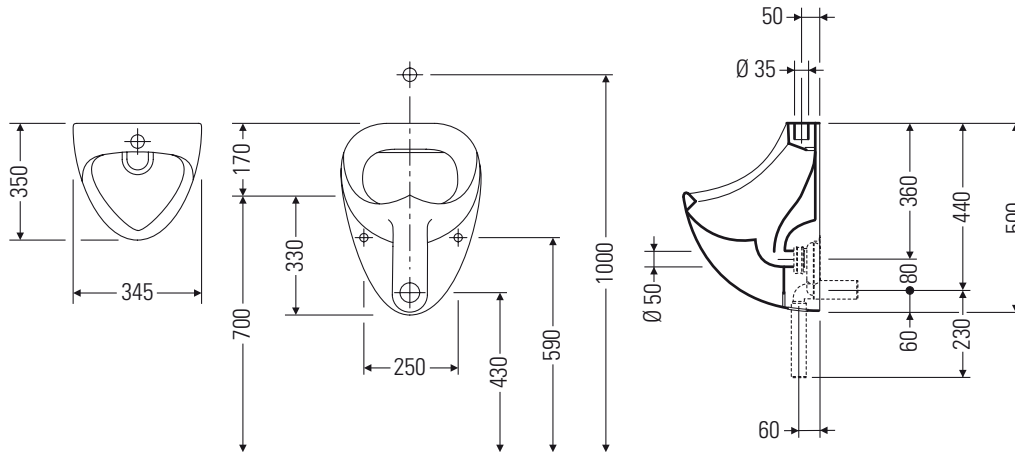
供水

The urinal siphon needs to be pushed into the securely fixed pipe connector, the rubber sealing ring of the connector needs to be clearly seen and accessible for future replacement.

小便器的虹吸管须插入已装好的转换接头。转换接头的橡胶密封圈必须清晰可见，并易于将来更换。



085135...00 / # 0851350007



085035...00 / # 0850350007

BEFORE YOU START:

Please take a few minutes to read the following installation instructions.

Your new urinal is a low consumption urinal (0.5 gpf / 1.9 lpf).

你开始安装前:

开始前请你花几分钟时间阅读以下安装说明书:

你所购买的小便器是一种低水耗的小便器 (0.5 gpf / 1.9 lpf)

For a safe and efficient operation of the urinal a water pressure between minimum 20 psi (140kPa) and maximum 80 psi (550kPa) must be respected.

为保证小便器安全及有效的操作，水压必须控制在最低为20磅/平方英寸 (140kPa) 与最高80磅/平方英寸 (550kPa) 之间。

